

**MICRO SWITCH**  
 FREEPORT, ILLINOIS, U.S.A.  
 A DIVISION OF HONEYWELL  
 FED. MFG. CODE 81928

**SWITCH-ENCLOSED**

CATALOG LISTING  
**BZE6-2RN62**

**BZE6-2RN62**

**M**

DRAWING NUMBER

ISSUE 11

REPLACES

RELEASE NO.

BP 22 NOV 05

CHECK

25 AUG 77

CHECK

ROB 15 AUG 77

CHECK

ROB 8 NOV 84

CHECK

ROB 4 SEP 92

CHECK

ROB 25 AUG 77

CHECK

ROB 25 AUG 77

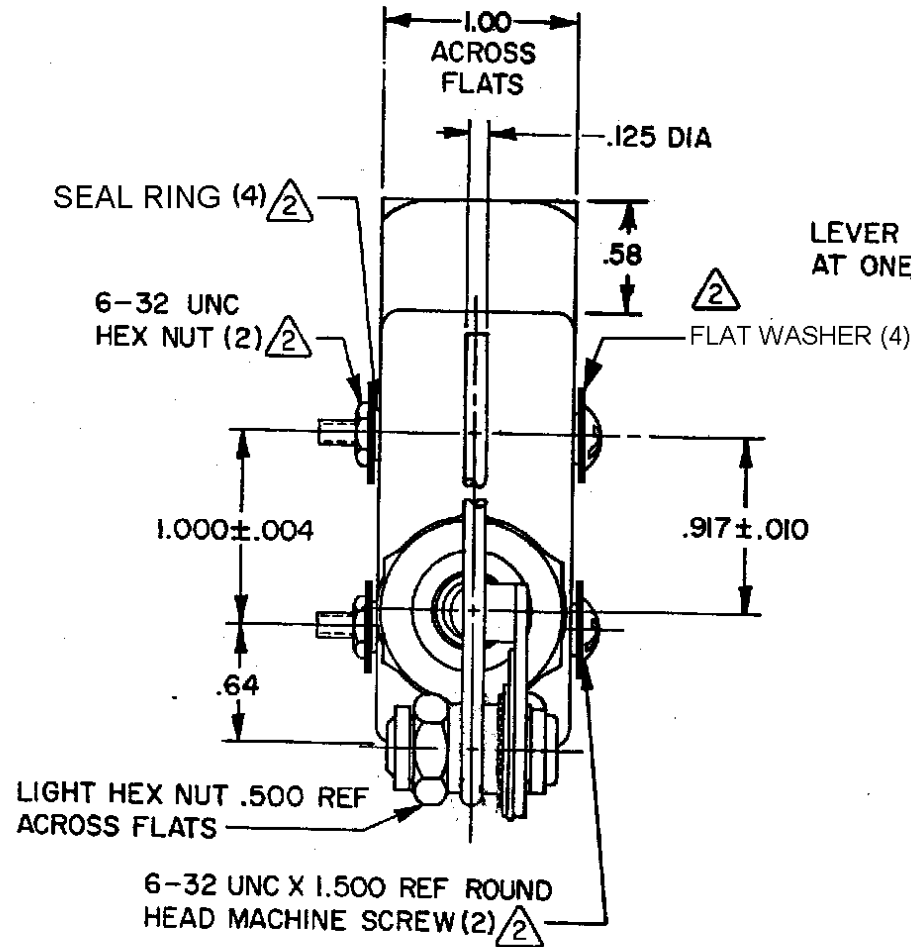
CHECK

ROB 25 AUG 77

CHECK

ROB 25 AUG 77

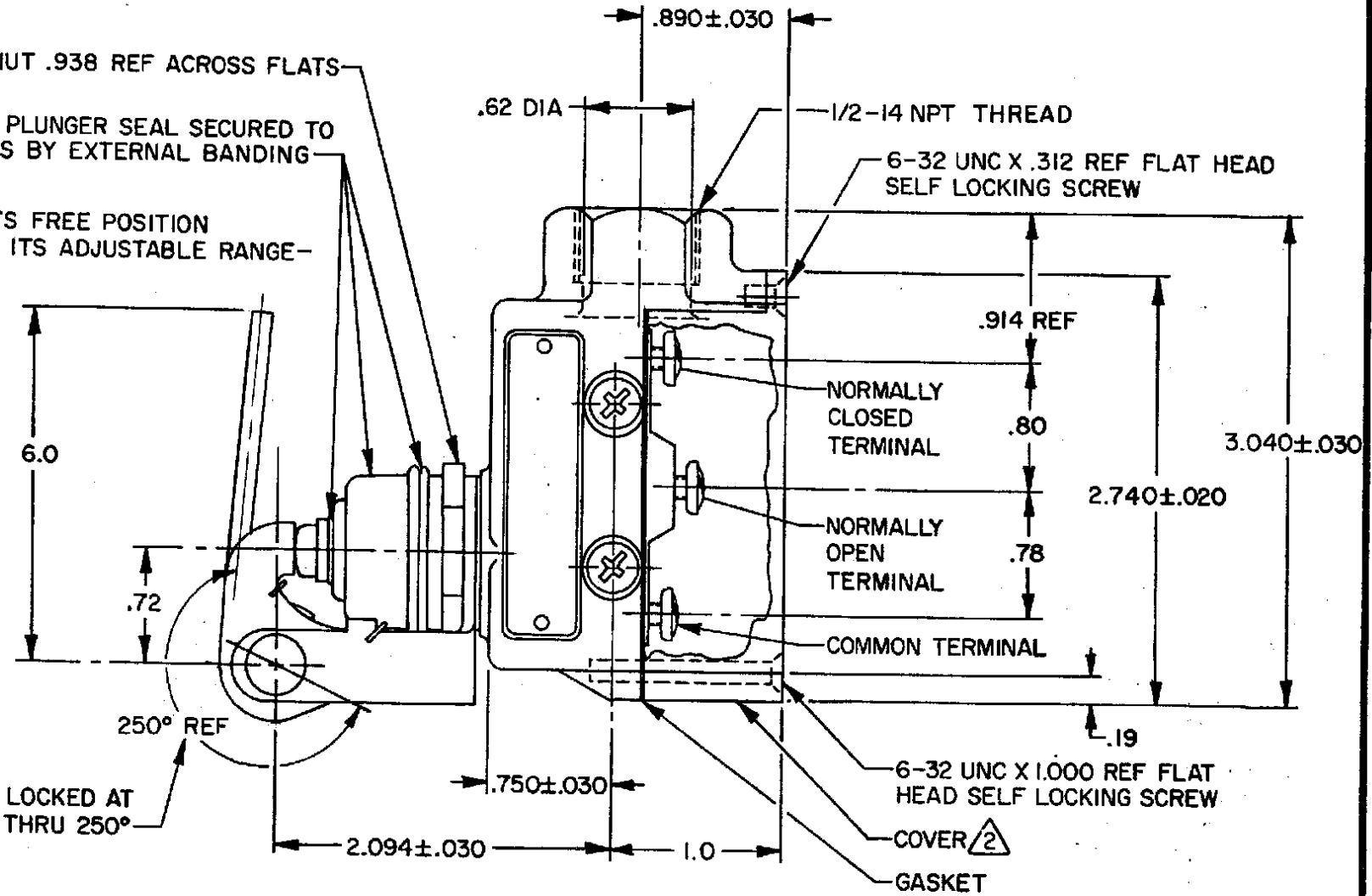
REVISIONS	
A	CO 38200-B TMM 23 AUG 77
B	CO5319 IF TSK 13 APR 84
C	CO55989 JAP 8 NOV 84
D	CO54958 GJW 7 JAN 85
E	CO72476 MAV 4 SEP 92
F	77179A KDR 17 FEB 94
G	CO77889 KEU 20 SEP 94
H	0017057 VKR 22 NOV 05



HEX SEAL NUT .938 REF ACROSS FLATS  
 ELASTOMER PLUNGER SEAL SECURED TO COMPONENTS BY EXTERNAL BANDING

LEVER IS SHOWN IN ITS FREE POSITION AT ONE EXTREME OF ITS ADJUSTABLE RANGE-

LEVER MAY BE LOCKED AT ANY POSITION THRU 250°



NOTES-

- ① - 6-32 UNC X .219 REF BINDING HEAD TERMINAL SCREW AND CUPWASHER(3)
- ② FURNISHED UNASSEMBLED
- ③ - LEVER BRACKET ASSEMBLY MAY BE SET AT ANY POSITION AROUND AXIS OF PLUNGER
- ④ - SEAL RATING: NEMA1,3  
IP54

THIS DRAWING COVERS A PROPRIETARY ITEM AND IS THE PROPERTY OF MICRO SWITCH, A DIVISION OF HONEYWELL. THIS DRAWING IS NOT TO BE COPIED OR USED WITHOUT THE APPROVAL OF MICRO SWITCH.

CHARACTERISTICS	ELECTRICAL DATA	SCALE FULL
OPERATING FORCE — — — 3-7 OZ	CONTACT ARRANGEMENT S P D T	DO NOT SCALE PRINT
RELEASE FORCE — — — 1 OZ MIN	15A-125, 250 OR 480 VAC, 2A-600 VAC 1/8 HP-125 VAC; 1/4 HP-250 VAC 1/2A-125 VDC; 1/4A-250 VDC CODE L74 CE 1.5A, 240Vac	UNLESS OTHERWISE NOTED
PRETRAVEL — — — .718 MAX		DIMENSIONS ARE IN INCHES
DIFFERENTIAL TRAVEL — — .229 MAX		<b>TOLERANCES ARE:</b>
OVERTRAVEL — — — .838 MIN		ONE PLACE (.0) ± .030
BASIC SWITCH REPLACEMENT — BZ-2RN702		TWO PLACE (.00) ± .015
		THREE PLACE (.000) ± .005
		ANGLES ± .005
		WEIGHT .71 LB

FO-5285-1-A

DRAWN

TMM 23 AUG 77